

Stock Code: **20510LEDD-BS/ACR**

Collection: Solero III

### PRODUCT INFORMATION

Base: 20510 Parent: 20510LEDD  
Mounting Type: Ceiling UPC: 641594245196  
Finish: Brushed Steel  
Diffuser: Acrylic Lens

### PRODUCT MEASUREMENTS

FIXTURE	BACKPLATE / CANOPY
Length:	Length
Width:	Width:
Diameter 24"	Diameter:
Height: 5"	Height:
Extension:	
Overall Height:	

### TECHNICAL SPECIFICATIONS

#### SPECIFICATIONS

Frame Material: N/A  
Diffuser Material: N/A  
Lamping Type: SSL (Dedicated LED) Jbox: Standard  
Lamping Base: SSL Lamp Wattage: 35 W  
Lamp Quantity: 1 Total Wattage: 35 W  
Voltage: 120v Lamps Included: Yes

#### QUALIFICATIONS

Location Rating: Damp  
Certification: ETL (US/Canada) Listed  
ADA Compliant: No Energy Star: No  
JA8 Compliant: Yes Emergency Lighting: No  
Marine Grade: No Warranty: 5 Year

#### PHOTOMETRICS

Dimmable: Yes Nominal Lumens: 2600 Lm  
CRI: 90 Delivered Lumens: 2526 Lm  
CCT: 3000K  
Recommended Dimmers:  
(ELV)LUTRON Diva DVELV-300P; (TRIAC)LEVITON Trimatron 6684; (ELV)LUTRON Maestro CL (Package) MACL-153M-RHW; (TRIAC)LEVITON Decora Sureslide 6672; (TRIAC)LEVITON Decora Sureslide 6674; (ELV)LUTRON Maestro CL MACL-153M; (ELV)LUTRON Skylark Contour CTCL-153P

#### Additional Notes:

Optional Color Temperature 500 Piece Minimum Order Quantity;  
Custom Finish 5 Piece Minimum Order Quantity

Project Name: \_\_\_\_\_

Location: \_\_\_\_\_

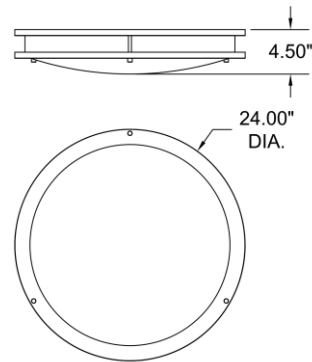
Type: \_\_\_\_\_

Quantity: \_\_\_\_\_

Notes: \_\_\_\_\_



#### LINE DRAWING



#### IES FILE

In addition to Access Lighting's purchase and warranty terms and conditions, by signing below or placing an order, you agree that you are authorized to bind the entity placing any order and acknowledge the following: All of sizes and measurements are approximate and all images are for illustrative purposes only. In the event of an inconsistency, the "Product Measurements" section controls. There also may be slight differences in the colors and designs compared to the displayed and printed images.

Signature: \_\_\_\_\_

Print Name \_\_\_\_\_ Date: \_\_\_\_\_

Toll Free 800-828-5483 [www.AccessLighting.com](http://www.AccessLighting.com)

14410 Myford Road, Irvine, CA 92606

The information is subject to change without notice. 11/8/2022 20510LEDD-BS\_ACR.pdf

